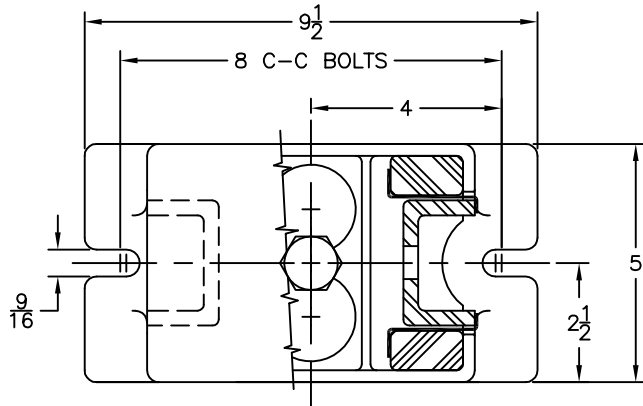
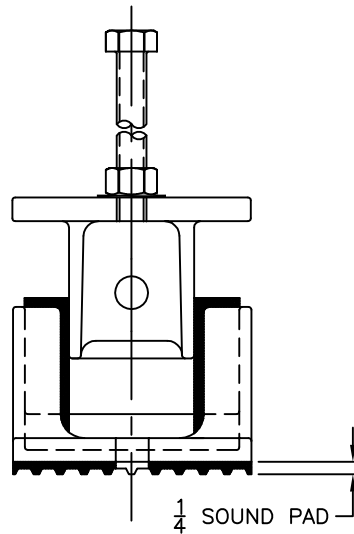
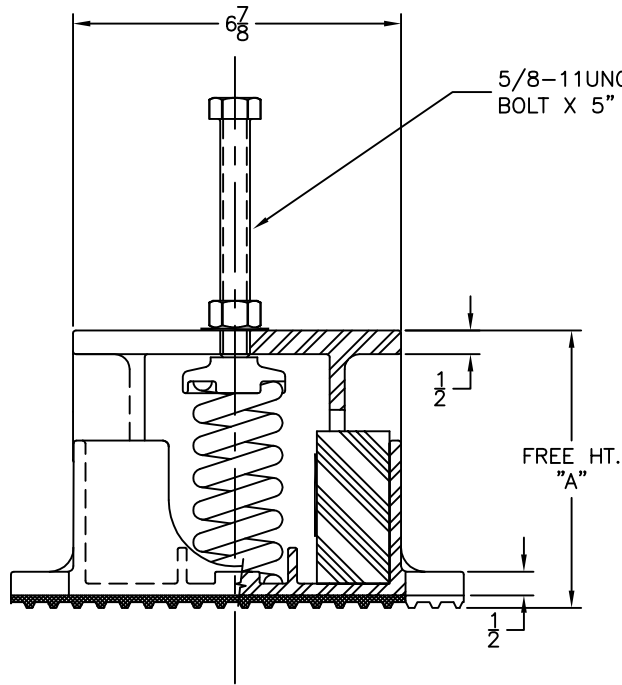


REV.	DESCRIPTION	DATE	BY



PART NUMBER	ISOLATOR MODEL	MAX. STEADY (LBS)	MAX. IMPACT (LBS)	ISOLATOR CONSTANT (LBS)	MIN. FREE HEIGHT	COLOR CODE
603120-50	LND-50	100	△	50	5 3/4	YELLOW
603120-51	LND-51	250	△	125		ORANGE
603120-52	LND-52	400	△	240		BROWN
603120-53	LND-53	600	△	380		BLACK
603120-54	LND-54	1000	△	690		GREEN
603120-55	LND-55	1400	△	1120		BLUE
603120-56	LND-56	2400	△	3300	PURPLE	
603120-45	LND-45	650	520	880	4 1/2	BROWN
603120-46	LND-46	900	720	1600	4 3/8	RED
603120-47	LND-47	1200	960	2450		PURPLE
603120-57	LND-57	2200	1650	4260	4 3/8	BLUE
603120-68	LND-68	2600	2450	5300	4 3/4	GREEN



NOTES:

- ALL DIMENSIONS ARE IN INCHES, INTERPRET PER ANSI Y14
- STANDARD FINISH: CONTACT VMC FOR ADDITIONAL AVAILABILITY
 - A. STEEL WELDMENTS: STANDARD VMC COLOR
 - B. SPRING: POWDER COATED
 - C. HARDWARE: ELECTRO-ZINC PLATED
- OPERATING HEIGHT ESTABLISHED BY ADJUSTMENT PER UNC INSTALLATION INSTRUCTIONS.
- △ CURRENTLY UNDER ENGINEERING REVIEW
- EST. UNIT WEIGHT: 17 LBS.
- RECOMMENDED MAXIMUM TORQUING OF ISOLATOR BASE ANCHORS TO 5FT-LBS. AFTER EQUIPMENT IS INSTALLED.
- USE OF BLOCKING IS REQUIRED ALONGSIDE EACH ISOLATOR, EQUAL TO ISOLATOR FREE HEIGHT SO AS TO TEMPORARILY TRANSFER THE EQUIPMENT LOAD ONTO BLOCKING UNTIL THE LOAD IS TRANSFERRED TO THE SPRING BY TURNING ADJUSTING BOLT CAUSING ISOLATOR TO LIFT EQUIPMENT ABOVE BLOCKING. REMOVE BLOCKING AFTER INSTALLATION IS COMPLETE.

OTHER MATERIALS, COMPOUNDS, OR FINISHES WITH EQUAL OR SUPERIOR PROPERTIES MAY BE SUBSTITUTED AS THEY BECOME AVAILABLE.

CERTIFIED FOR:

JOB NAME: _____
 CUSTOMER : _____
 CUSTOMER P.O.: _____
 SALES ORDER: _____

MODEL LND 100-2600 LBS.
 SPRING ISOLATOR



THE VMC GROUP
The Power of Together
 Bloomingdale, NJ 07403
 Houston, TX 77041

SCALE : NONE	
SHEET:	
DRAWING NO.:	REVISION